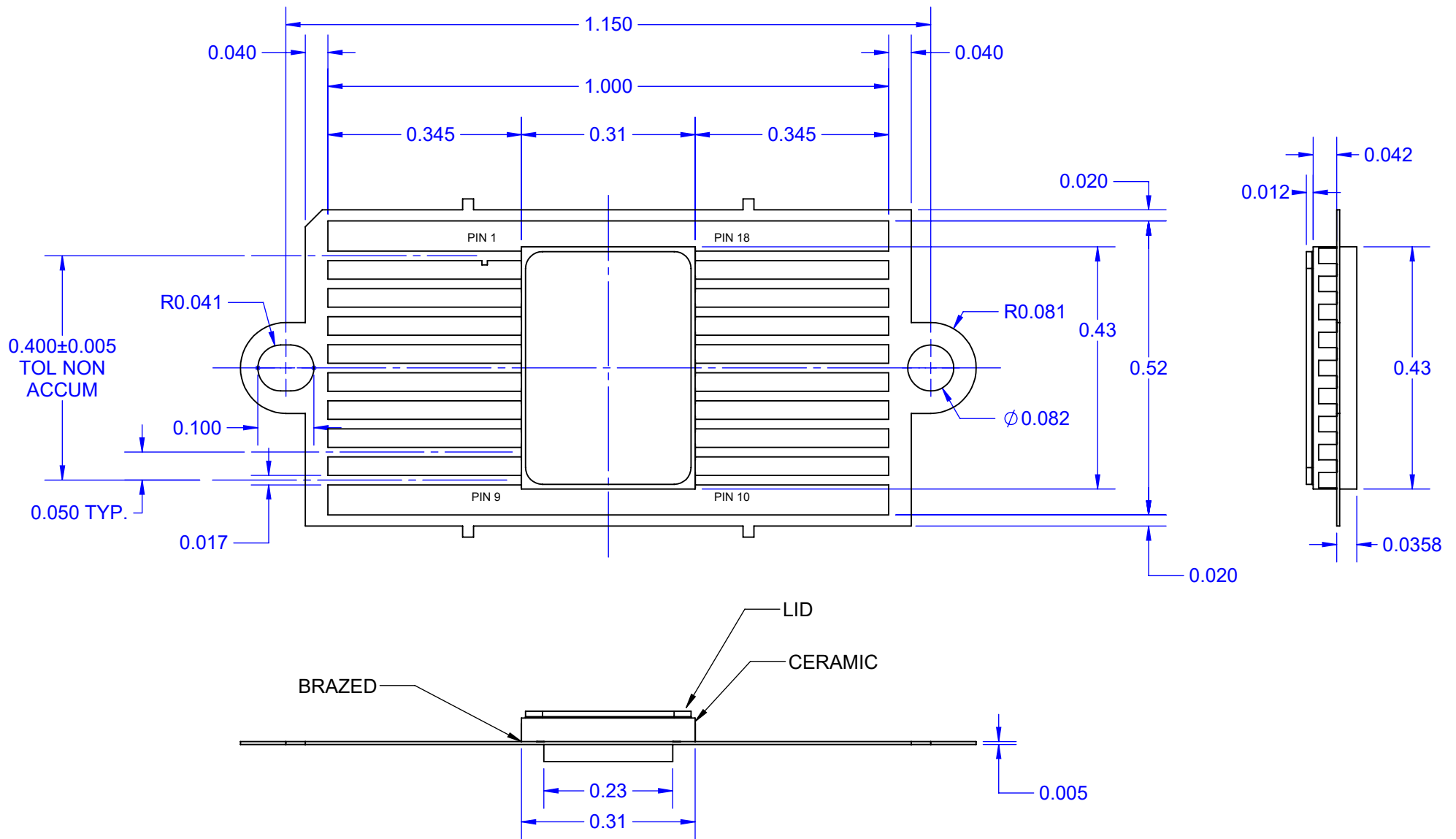


WITH LID

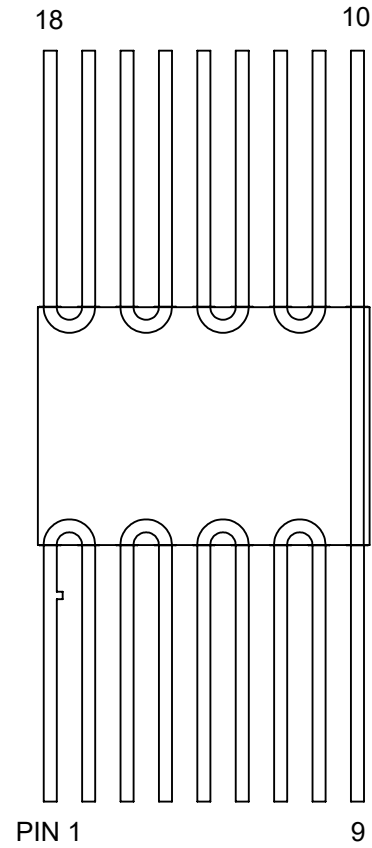


Notes: (Unless Otherwise Specified).

- 1) DIMENSIONS: INCH [mm].
- 2) FLAT LEADS ON TIE BAR ALLOY 42.
- 3) ALL EXPOSED METAL GOLD PLATED (Au).
- 4) PIN 18 - PITCH 0.050" [1.27mm].

APPROVALS	DATE	TopLine®			
DRAWN T. Au	4/17/2022				
ENG M. Hart	4/17/2022	TITLE FP18F50R.31x.44B-N175x280 18L FLAT PACK			
MFG		SCALE	SIZE	DRAWING NO.	REV
QA		4:1	A	121800	A
CUST		DO NOT SCALE DRAWING			SHEET 1 OF 3
REVISED					

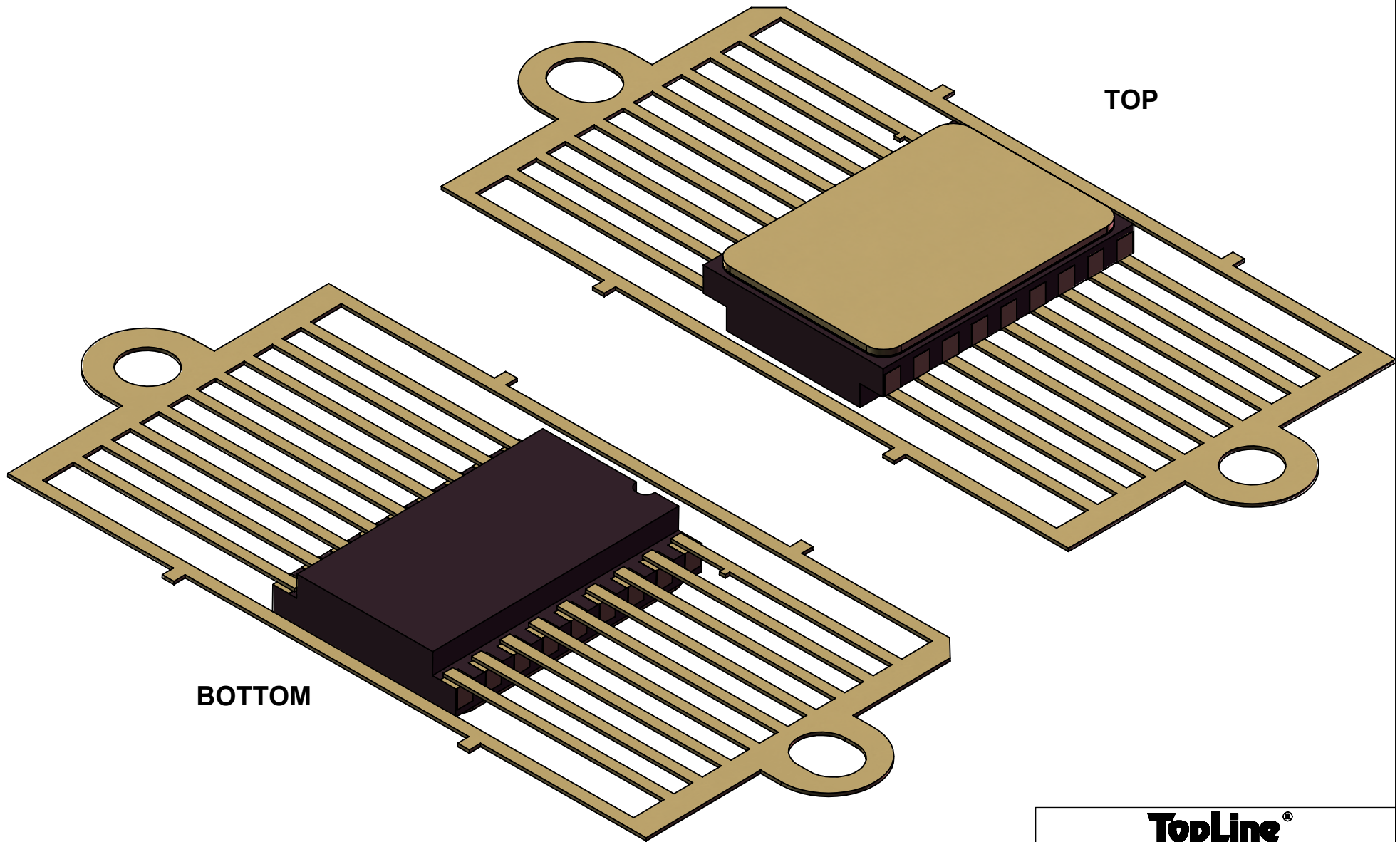
DAISY CHAIN TOP VIEW



DAISY CHAIN NET LIST	
PINS	PINS
1 ~ 2	11 ~ 12
3 ~ 4	13 ~ 14
5 ~ 6	15 ~ 16
7 ~ 8	17 ~ 18
9 ~ 10	

TopLine[®]			
TITLE FP18F50R.31x.44B-N175x280 18L FLAT PACK			
SCALE 4:1	SIZE A	DRAWING NO. 121800	REV A
DO NOT SCALE DRAWING		SHEET 2 OF 3	

MODEL WITH LID



TOP

BOTTOM

TopLine[®]

TITLE FP18F50R.31x.44B-N175x280
18L FLAT PACK

SCALE	SIZE	DRAWING NO.	REV
6:1	A	121800	A

DO NOT SCALE DRAWING

SHEET 3 OF 3